

# BALZER



## Balzer Chaser Bins

MJM EQUIPMENT

# Tandem Axle

42 tonne  
47 tonne



# Tridem Axle

42 tonne  
47 tonne  
60 tonne  
78 tonne



# Standard Features



Bidirectional Unload Spout



Weigh Scales



Shurco Roll Tarp



Internal Access Door



1000 PTO



Automatic Chain Oiler



Horizontal Auger Clutch



Folding Unload Auger



Work Lights



Hydraulic Suspension



Oversize Sign and Beacon



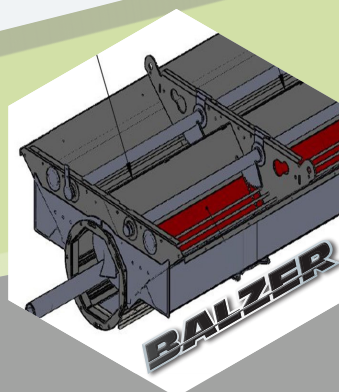
Roading Light Kit



24"inch Unload Auger



Hydraulic Jack



Grain Flow Control Doors



Steering Axles

# Standard Features



5" inch or 6" inch Hubs



Joystick Control



Articulating Bull Pull



Scales Display on the bin and in cab



Safety Chain



3/8 thick Auger Flighting



Unloads Up To 30 ton/min



# Optional Features



3-Way Camera Kit



Hydraulic Brakes



Tyre Upgrades

## Automatic Unload Detection

Libra Cart automatically detects and records how much grain has been unloaded from your cart.



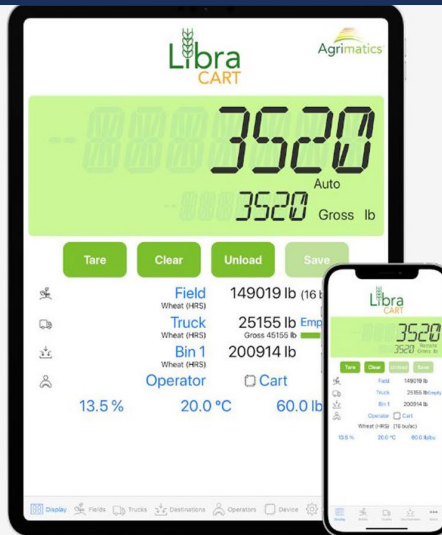
## Unlimited Remotes

Every paired mobile device within range of the Libra Cart device can view live weights. Calibrate the yield monitor right from the combine.



## Data Sharing

Harvest data can be shared through email and through the Aero cloud service to keep data secure and provide access from anywhere.



## Track Field, Truck, Destination, and Commodity

The app allows you to create an unlimited number of fields, trucks, destinations, and commodities.



## Log Transfer Locations

If your mobile device supports GPS, Libra Cart automatically records the location of each load.



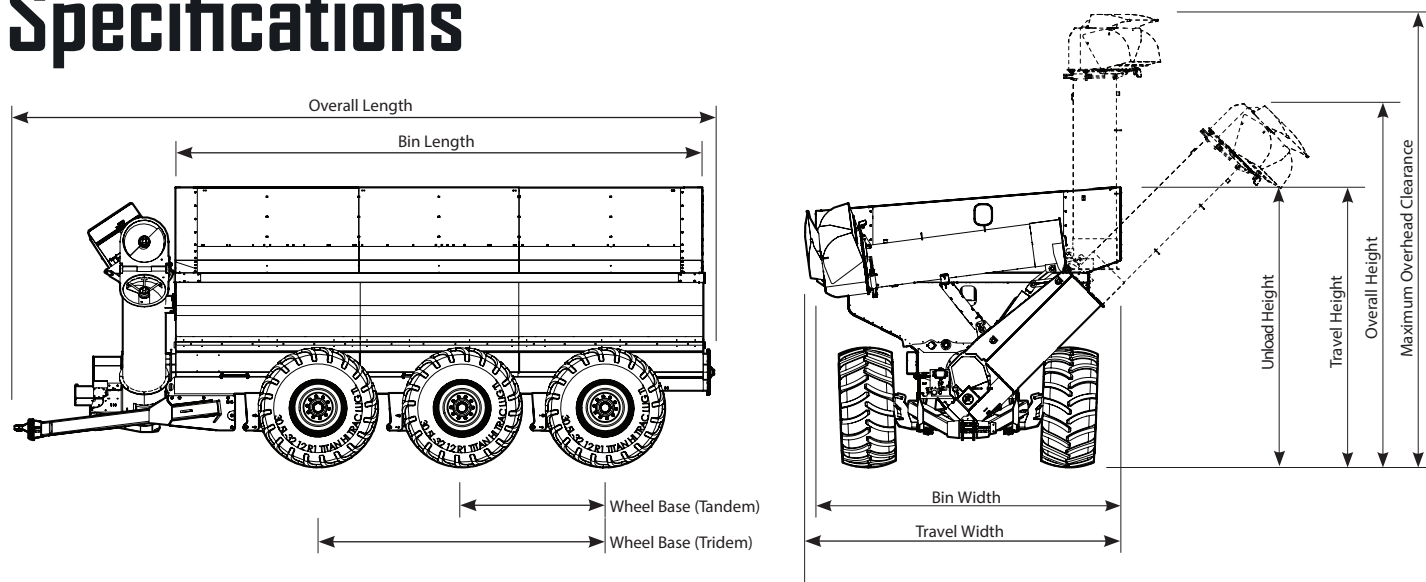
## Configurable Units

You can choose to display the weights in pounds (lb), kilograms (kg), or bushels (bu).

## Agrimatics Libra Cart



# Specifications



Specification	42 Tonne Tandem	47 Tonne Tandem	47 Tonne Tridem	60 Tonne Tridem	78 Tonne Tridem
Overall Length	11.02 m	11.02 m	11.02 m	11.02 m	11.02 m
Unloading Height	4.20 m	4.20 m	4.20 m	4.20 m	4.20 m
Overall Auger Height**	5.53 m	5.53 m	5.53 m	5.53 m	5.53 m
Maximum OH Clearance**	6.90 m	6.90 m	6.90 m	6.90 m	6.90 m
Travel Width*	4.80 m	4.80 m	4.80 m	4.80 m	5.50 m
Travel Height**	3.44 m	3.44 m	3.75 m	4.25 m	4.40 m
Bin Length	8.40 m	8.40 m	8.40 m	8.40 m	8.40 m
Bin Width	4.58 m	4.58 m	4.58 m	4.58 m	5.50 m
Hitch Weight Loaded	2.49 tonne	2.49 tonne	2.04 tonne	2.72 tonne	3.40 tonne
Wheel Base	2.18 m	2.18 m	4.37 m	4.37 m	4.37 m
Ground Clearance**	0.48 m	0.48 m	0.48 m	0.48 m	0.48 m
Tank Capacity	55,000 litre	61,000 litre	61,000 litre	78,000 litre	100,000 litre
Empty Weight	~13.60 tonne	~14.51 tonne	~15.56 tonne	~15.88 tonne	~16.21 tonne

\* This dimension does not include the increase in width due to the light kit since this can vary depending on the overall width of the tractor pulling this machine.

\*\* This dimension can vary depending on the tire size used on this machine.

# Chaser Bin Pricing

Model	Tyres	Hub Size	Price	Early Order Discount	Discounted Price
42t Tandem Axle	800/65/R32	6"inch	\$226,794	-\$10,000	\$216,794
47t Tandem Axle	800/65/R32	5"inch	\$234,937	-\$10,000	\$224,937
42t Tridem Axle	800/65/R32	5"inch	\$246,090	-\$10,000	\$236,090
47t Tridem Axle	800/65/R32	5"inch	\$251,757	-\$10,000	\$241,757
60t Tridem Axle	800/65/R32	6"inch	\$262,491	-\$10,000	\$252,491
78t Tridem Axle	900/60/R32	6"inch	\$281,803	-\$10,000	\$271,803

Prices are Ex GST

# Options Pricing

900 Tyres Upgrade (in lieu of 800 tyres) *each	\$1,086
1050 Tyres Upgrade (in lieu of 800 or 900 tyres) *each (this includes a wheel/rim/axle upgrade to suit 1050 tyres)	\$2,489
Libra Agrimatics installed with junction box	\$3,716
3-way Camera Kit, (unload spout, inside grain tank, reversing)	\$1,200
Hydraulic Brakes - per axle	\$3,597

Prices are Ex GST



## Address

1723 Tungamah-Peechelba Road  
Wilby Victoria Australia 3728

## Contact

Phone : 1300 697 053  
Email: [sales@mjmequipment.com](mailto:sales@mjmequipment.com)  
Web: [www.mjmequipment.com](http://www.mjmequipment.com)